

NEWS

STORAGE SYSTEM FOR POLYETHYLENE AND COMPLEMENTARY TOOL

Duchesne is proud to introduce two new complementary products to our multipurpose and vapour barrier polyethylene line;

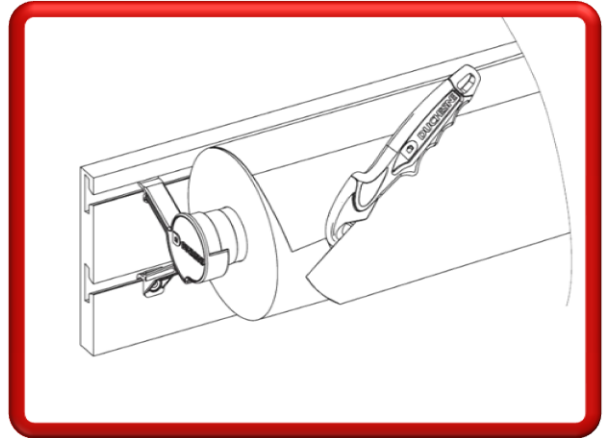
Duchesne's **polyethylene dispenser** and **polyethylene cutter**.

Because of Duchesne's polyethylene dispenser, a simple and efficient storage system, the handling of polyethylene rolls becomes effortless and fast. No more slippery rolls and lost space because of the unwanted continuous unreeling of the film. No more unpleasant struggles to cut the film. The use of Duchesne's polyethylene dispenser and polyethylene cutter allows*:

- A constant and balanced support of the polyethylene roll when reeling/unreeling;
- An easy-going supply of polyethylene;
- A clean working area;
- An easy, neat and on measure cut of the film.

Never offered before from a polyethylene manufacturer, these innovations demonstrate how Duchesne seeks to respond to the constant growing and changing needs of the do-it-yourselfers, the handyman and the consumers of all types.

We are always glad to be part of your construction and renovation works, we hope you will have as much pleasure using our products than we had developing them.



Duchesne, Solidly Dependable.



DUCHESNE

Solidly Dependable®



Polyethylene Cutter

- Fits in every tool belt
- Ergonomic grip
- Practical stow ring
- Cutting blade allows for perfect accuracy
- Quality design allows the blade to easily cut the film



Polyethylene Roll Dispenser

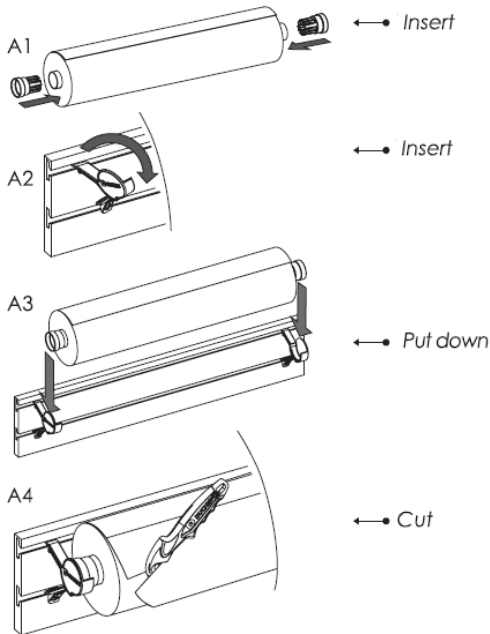
- Can be installed in a grooved panel or screwed into a wall
- Ideal to create an organised working area
- Simplify the use and storage of polyethylene rolls



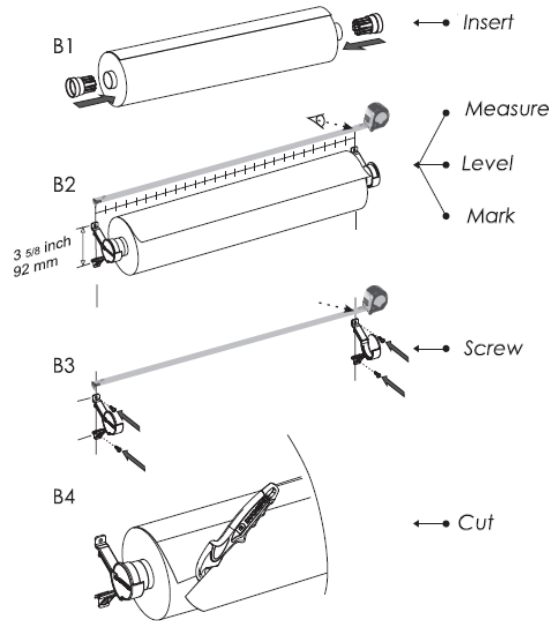
DUCHESNE
Solidly Dependable®

Installations

A Grooved panel



B Screwed into a wall



Compatible products for Duchesne's polyethylene roll dispenser.

WIDTH	LENGTH	AREA	LIGHT	MEDIUM	HEAVY
8'4" (2.54m)	60' (18.3m)	500 $\frac{\text{pi}^2}{\text{ft}^2}$ (46.4m ²)			□
8'6" (2.59m)	58'10" (17.9m)	500 $\frac{\text{pi}^2}{\text{ft}^2}$ (46.4m ²)		□○	□○
10' (3.05m)	50' (15.2m)	500 $\frac{\text{pi}^2}{\text{ft}^2}$ (46.4m ²)	□○	□○	□○
10' (3.05m)	100' (30.5m)	1000 $\frac{\text{pi}^2}{\text{ft}^2}$ (92.9m ²)	□○	□○	□○
10' (3.05m)	150' (45.7m)	1500 $\frac{\text{pi}^2}{\text{ft}^2}$ (139.3m ²)	□	□	□
12' (3.66m)	100' (30.5m)	1200 $\frac{\text{pi}^2}{\text{ft}^2}$ (111.5m ²)		□○	□○
20' (6.10m)	100' (30.5m)	2000 $\frac{\text{pi}^2}{\text{ft}^2}$ (185.8m ²)	□	□	

- Box Maximum 16.5 pounds (7,5 kg)
- Bag Maximum 5" diameter (12,7 cm)

Find the compatible note of the dispenser on polyethylene rolls packaging label.

